



Build a Luminaire

Leonor Fleming

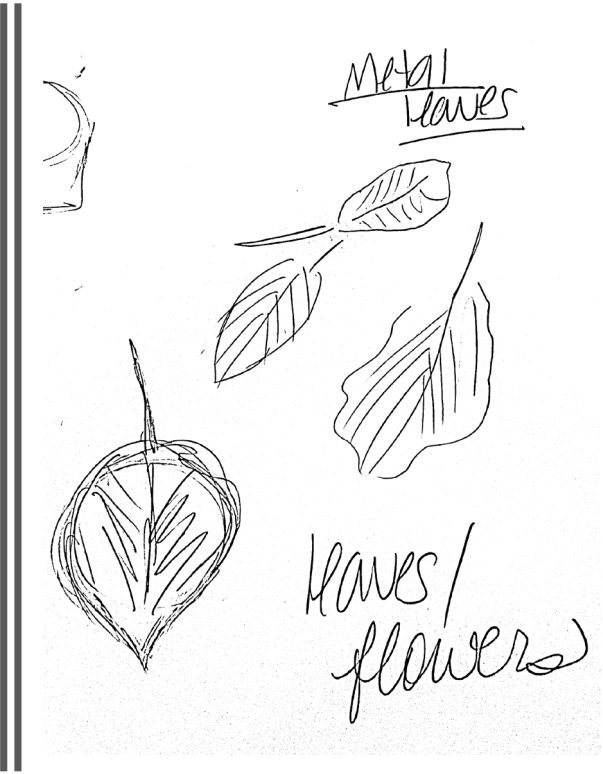
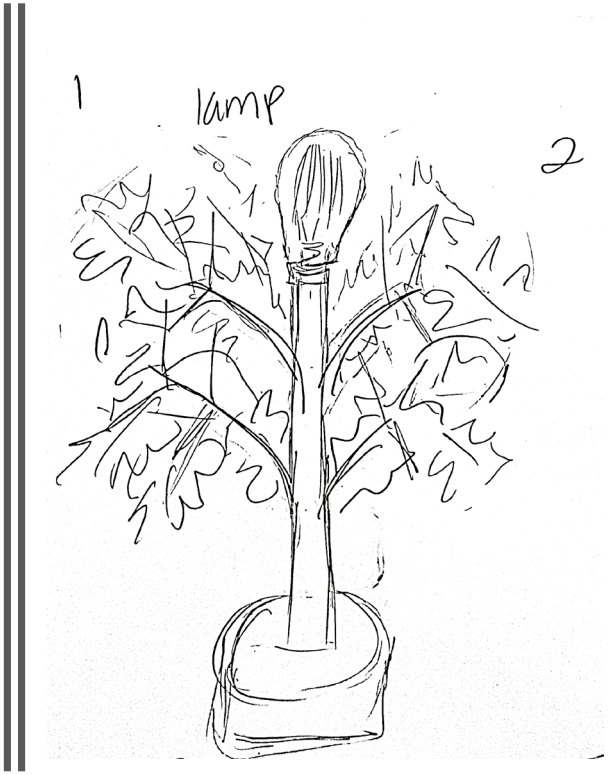
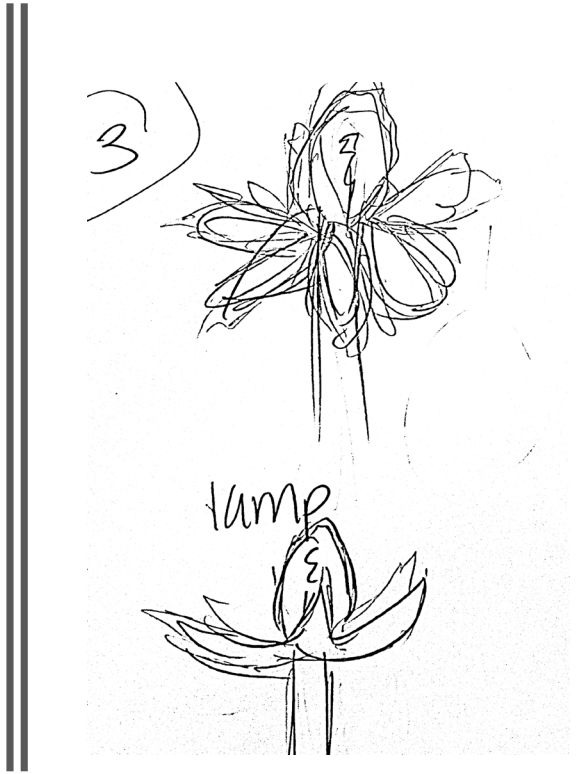
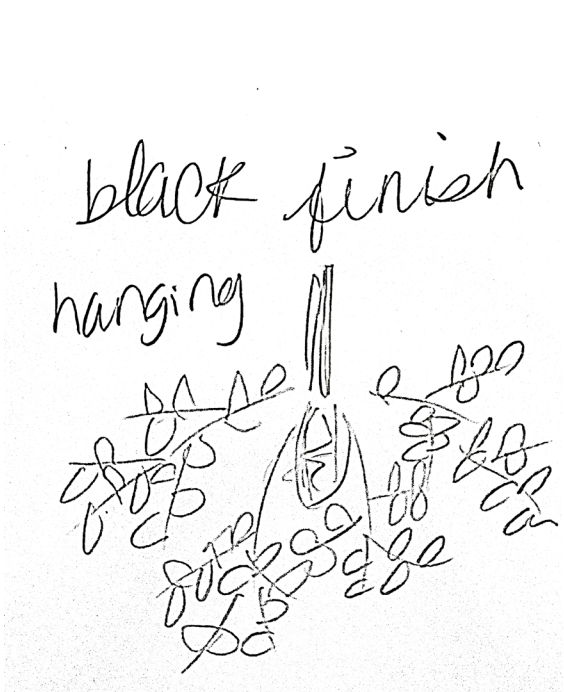
DES 386.01- Lighting

Professor Jerome Gomez

Spring 2022



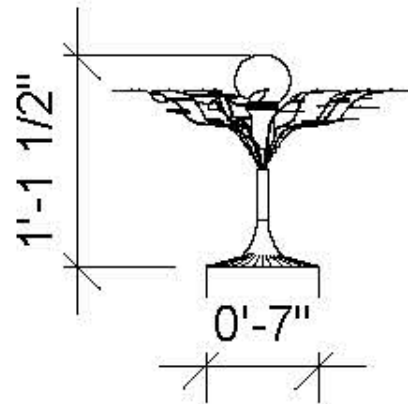
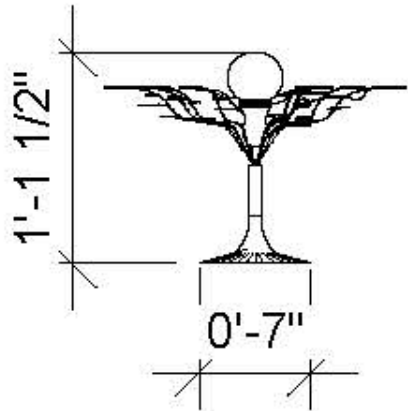
Inspirational Ideas

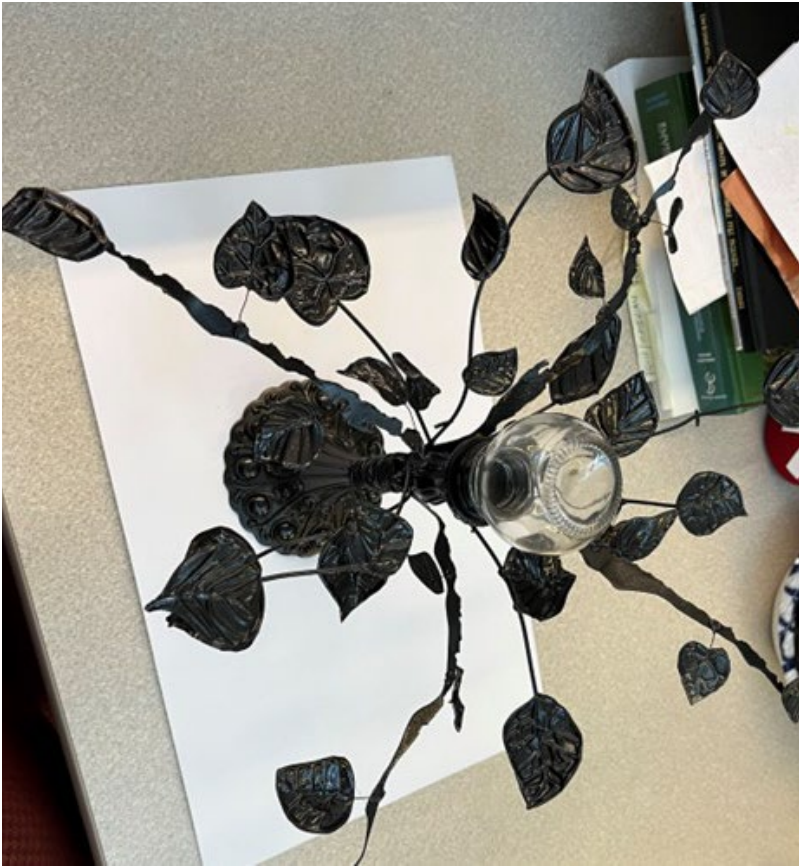


Preliminary Sketches

Drawing Elevations & Perspective

Mystifying Foliage 562022





Process Work

Tear Sheet

Mystifying Foliage 562022



Product Features:

- Detailed Hand Painted Distressed Look
- Elegant modern design using on-tread combinations of metal



\$149.99



SPECIFICATIONS

PRIMARY MATERIALS:	Metal, Aluminum and Glass
FINISH:	Oil Rubbed Bronze, Metallic Acrylic Paint: Prince Cut and Treasure Chest
NET WEIGHT:	3 lbs.
HEIGHT:	11 ½ inches
WIDTH:	7 inches
LENGTH:	11 ½ inches
CHROMATICITY:	3500K (Mid Color Temperature)
CRI:	70

LLF Design · 580 E Main St · Spartanburg, SC 29302 · (864) 596-9000



Final Built Luminaire
