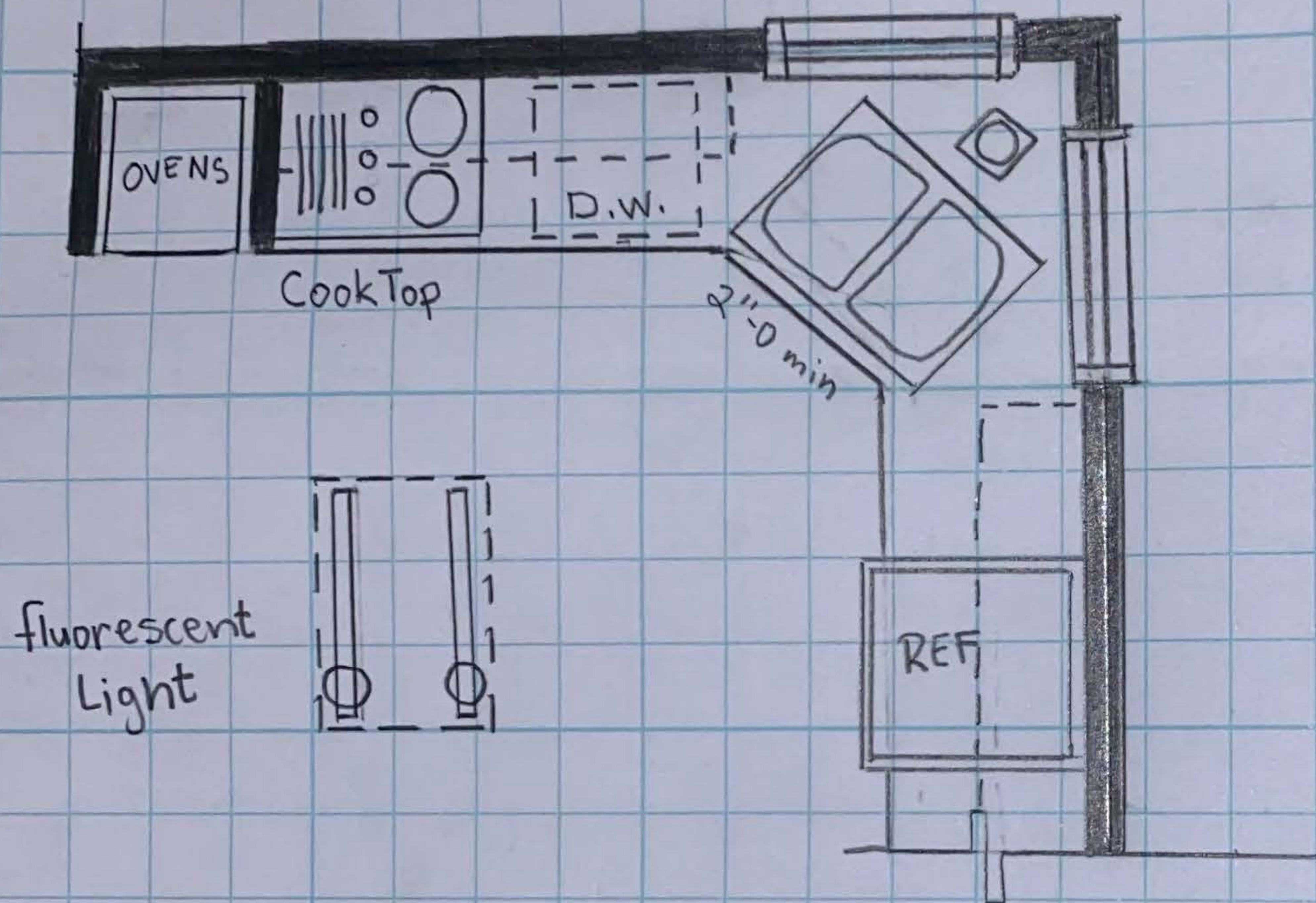


"U" Shape

"U" Shape

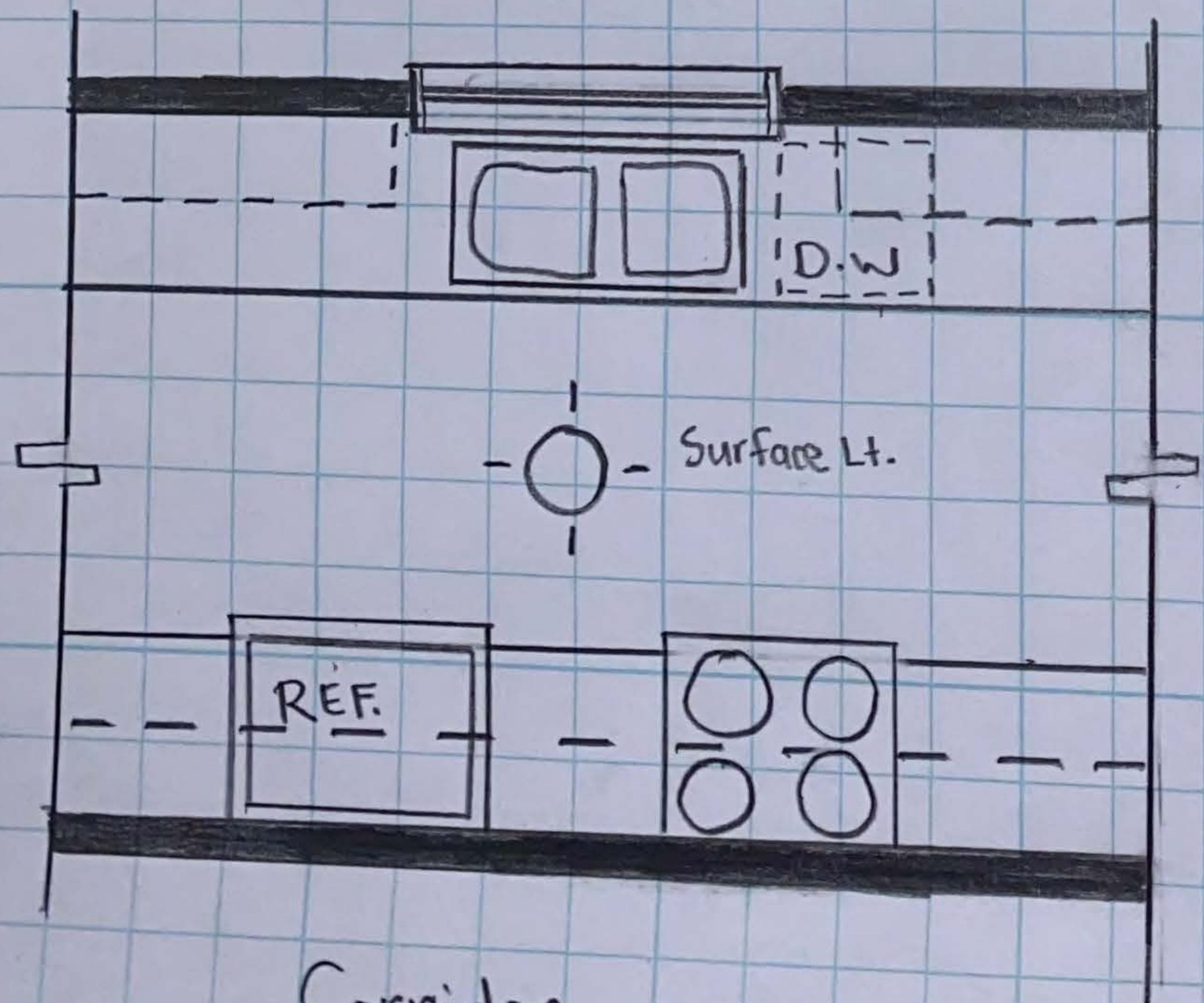
- min 4'-0" center
- 3'-0" counter H.T.
- 2'-0" counter depth
- 1'-0" wall cabinet depth
- 2'-6" Range
- 3'-0" Refrigerator
- 2'-0" dishwasher



"L" Shape

"L" Shape

- Dimensions same as for "U" shape
- 2'-0" ovens
- 2'-6" Cook top

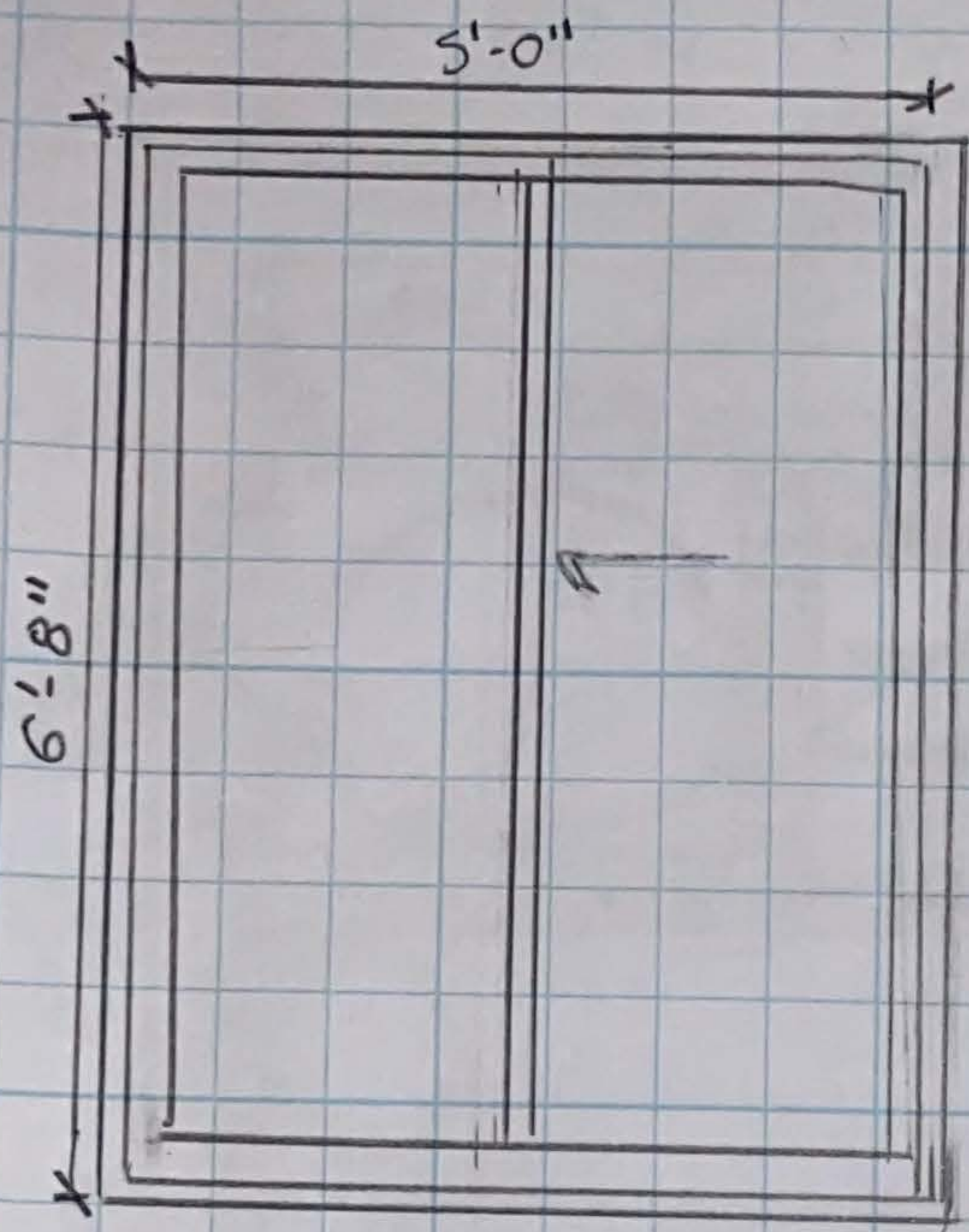
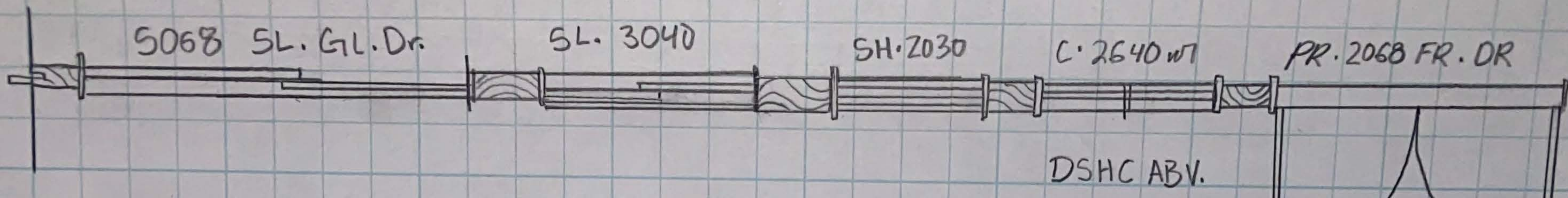


Corridor

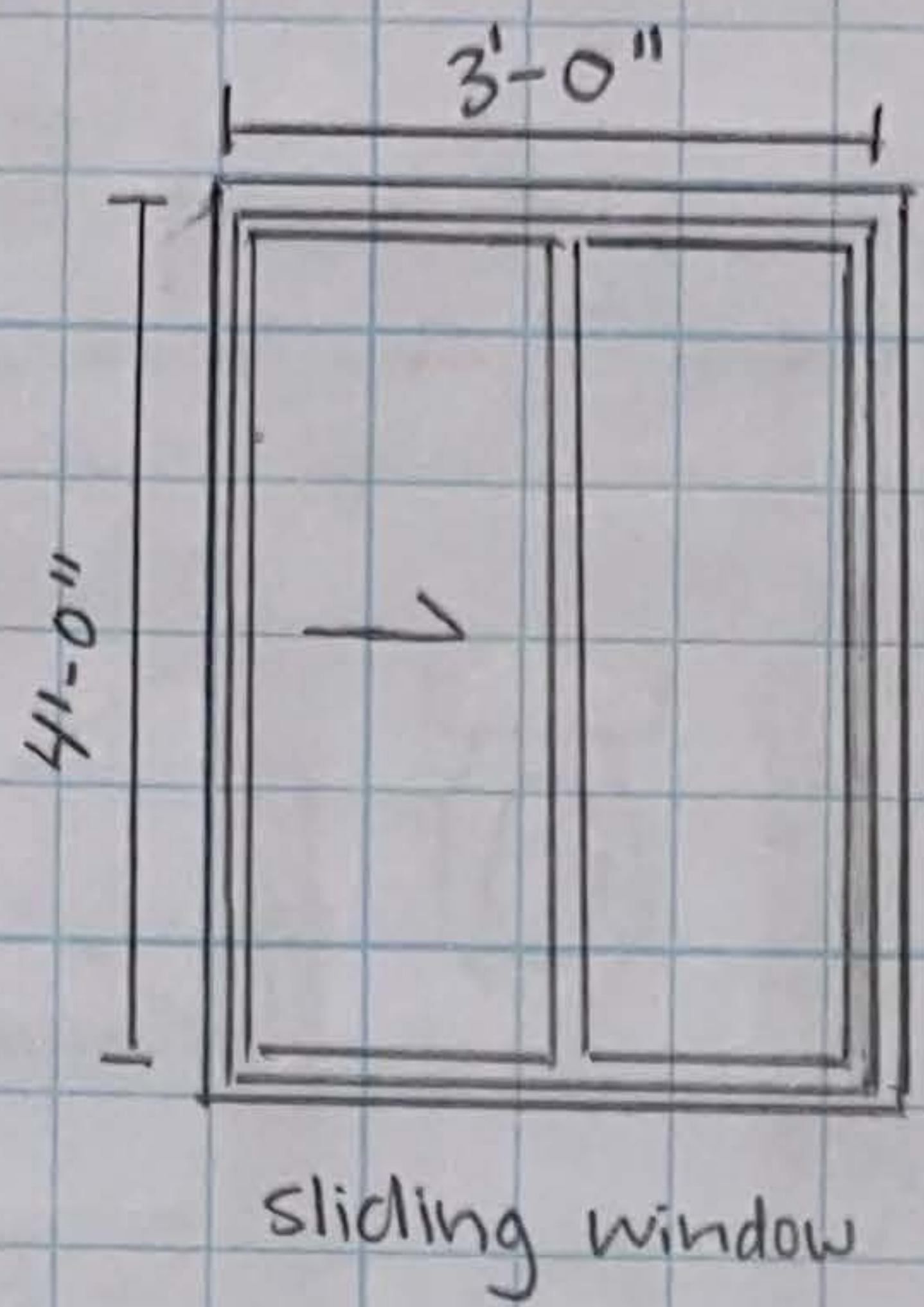
Corridor

- 8'-0" min length
- 4'-0" min aisle

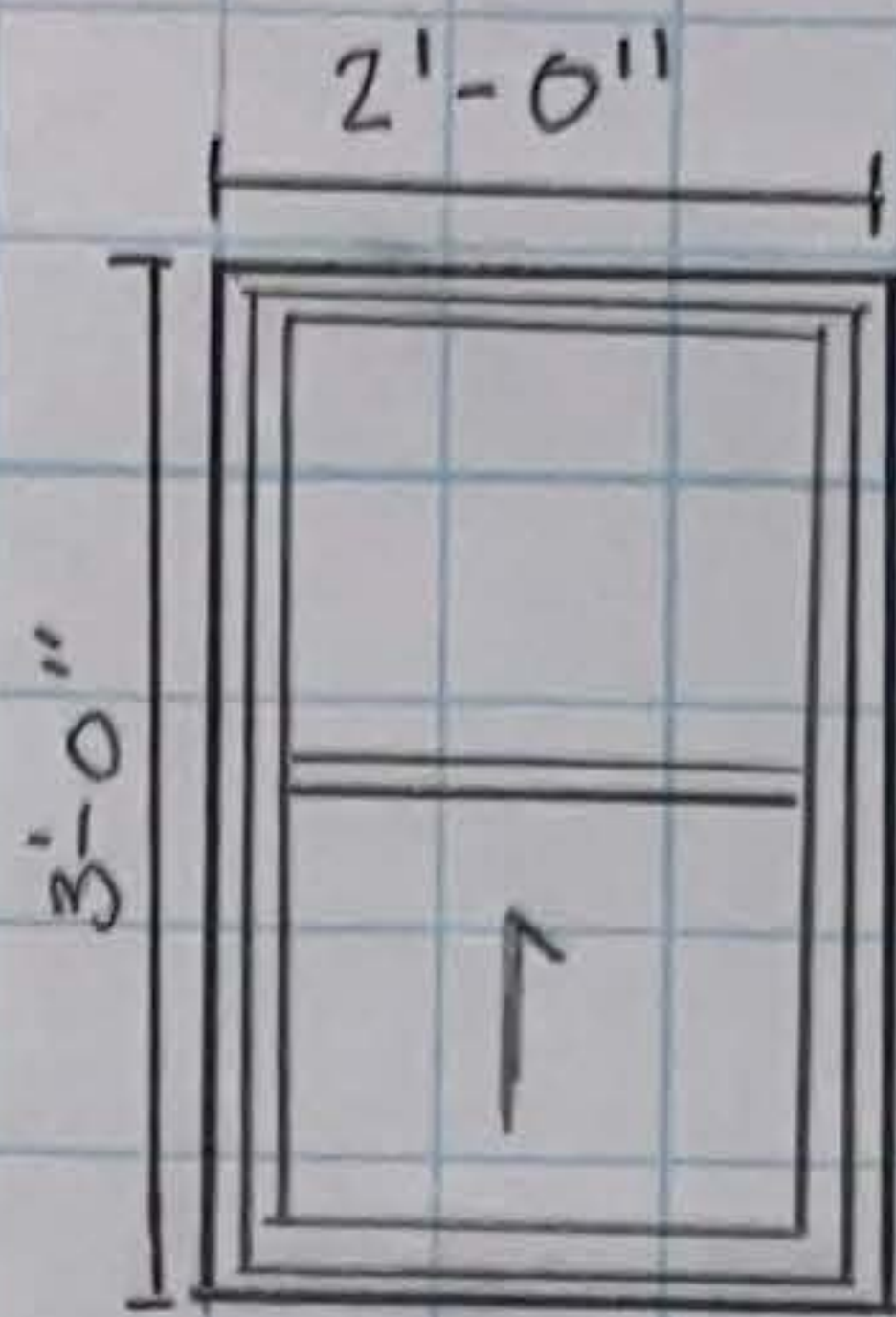




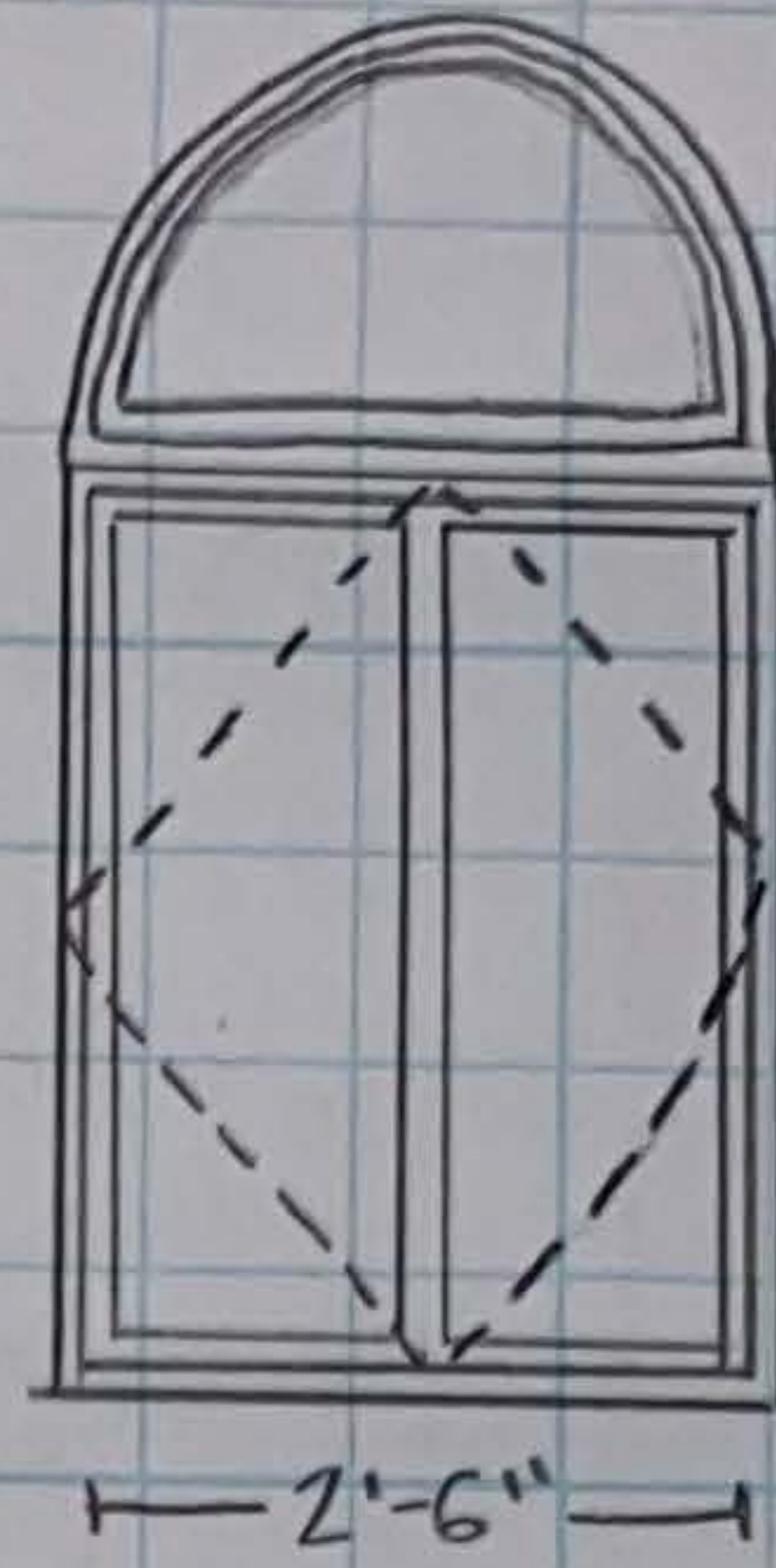
Sliding glass door



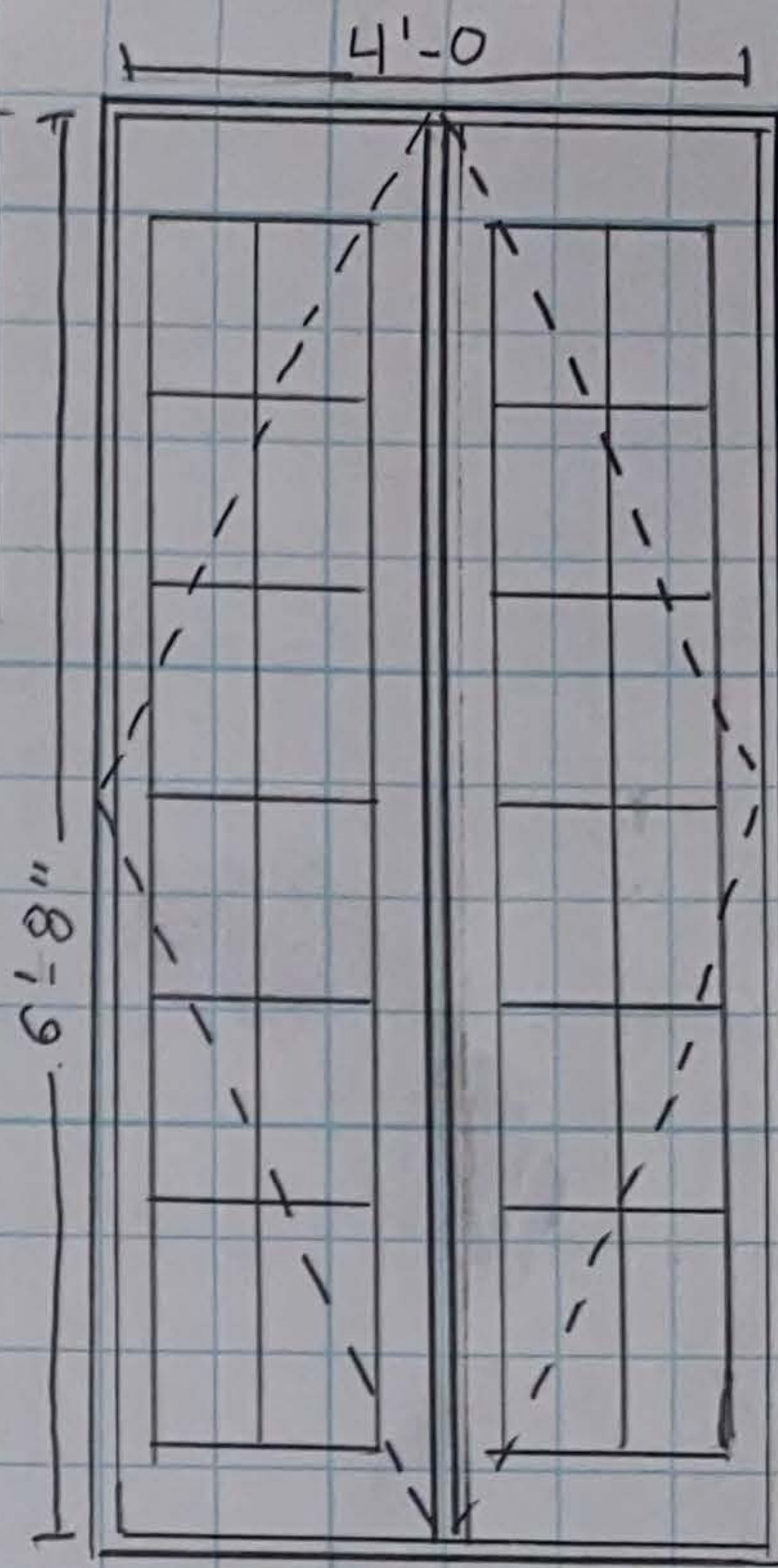
sliding window



Single hung



Casement w/ half circle

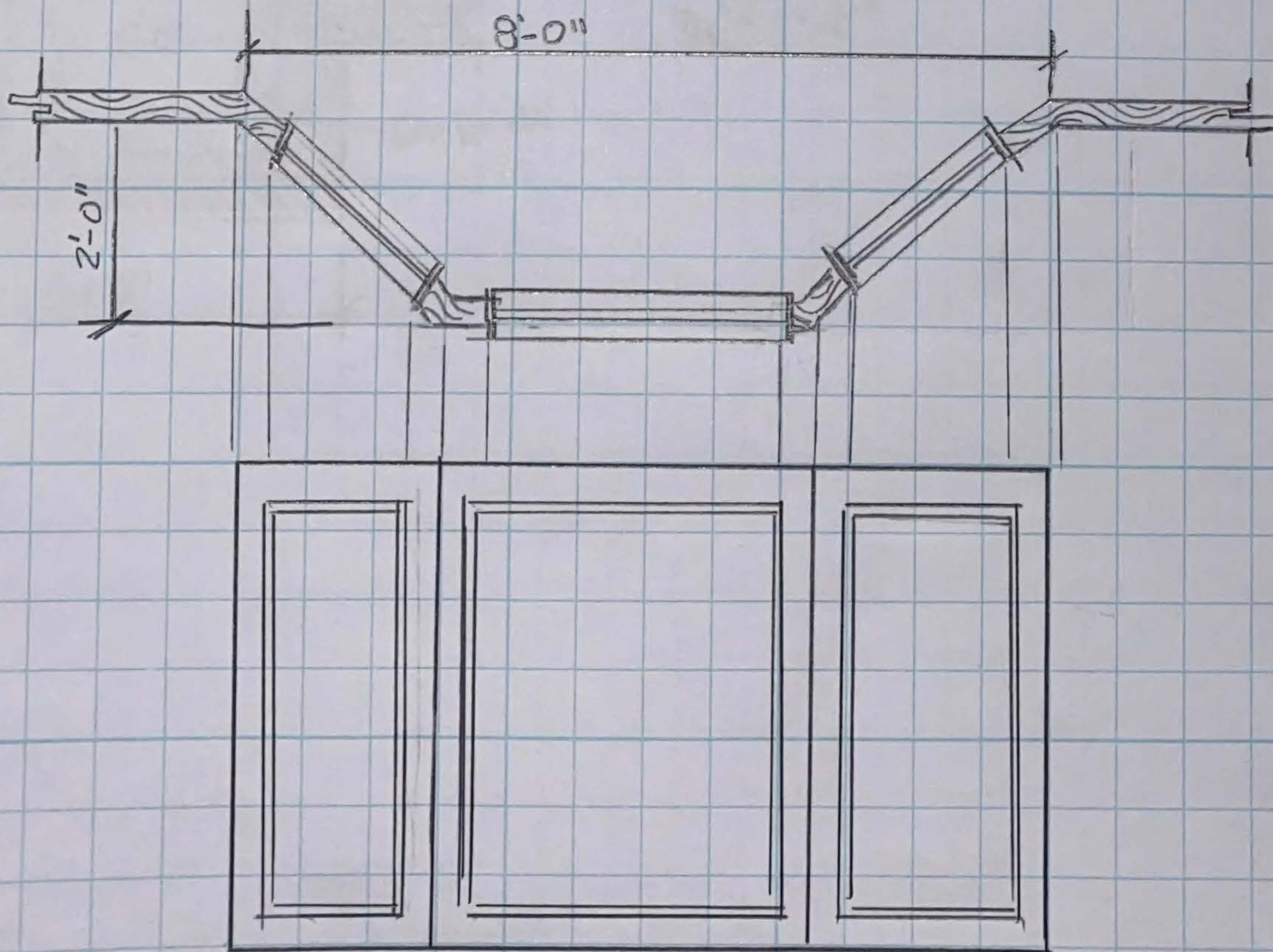


French door

Door and windows are typically hung 6'-8" above floor U.M.C

Windows and Specialty doors

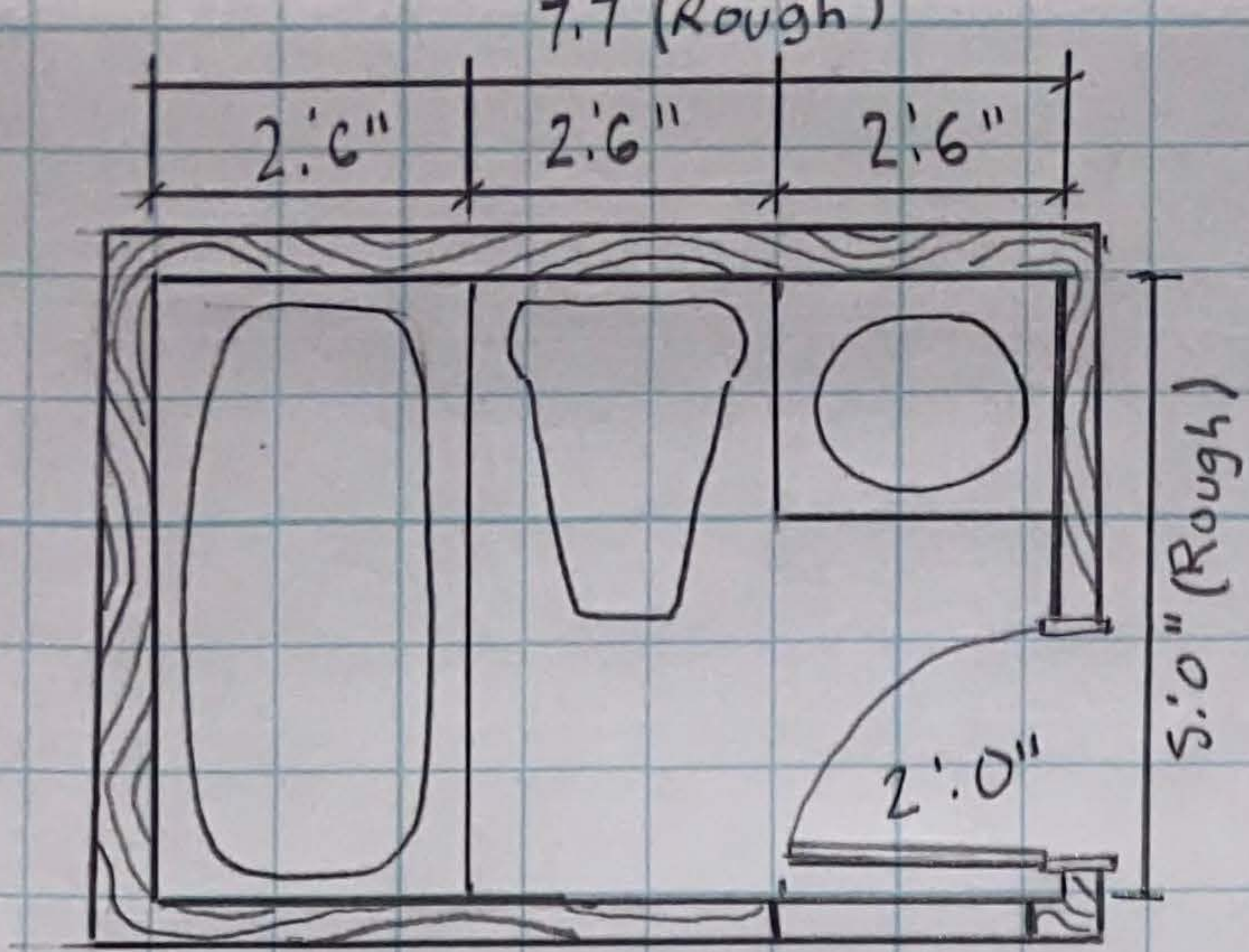
$3/8 = 1'-0"$



45° Bay Window Plan and Elevation

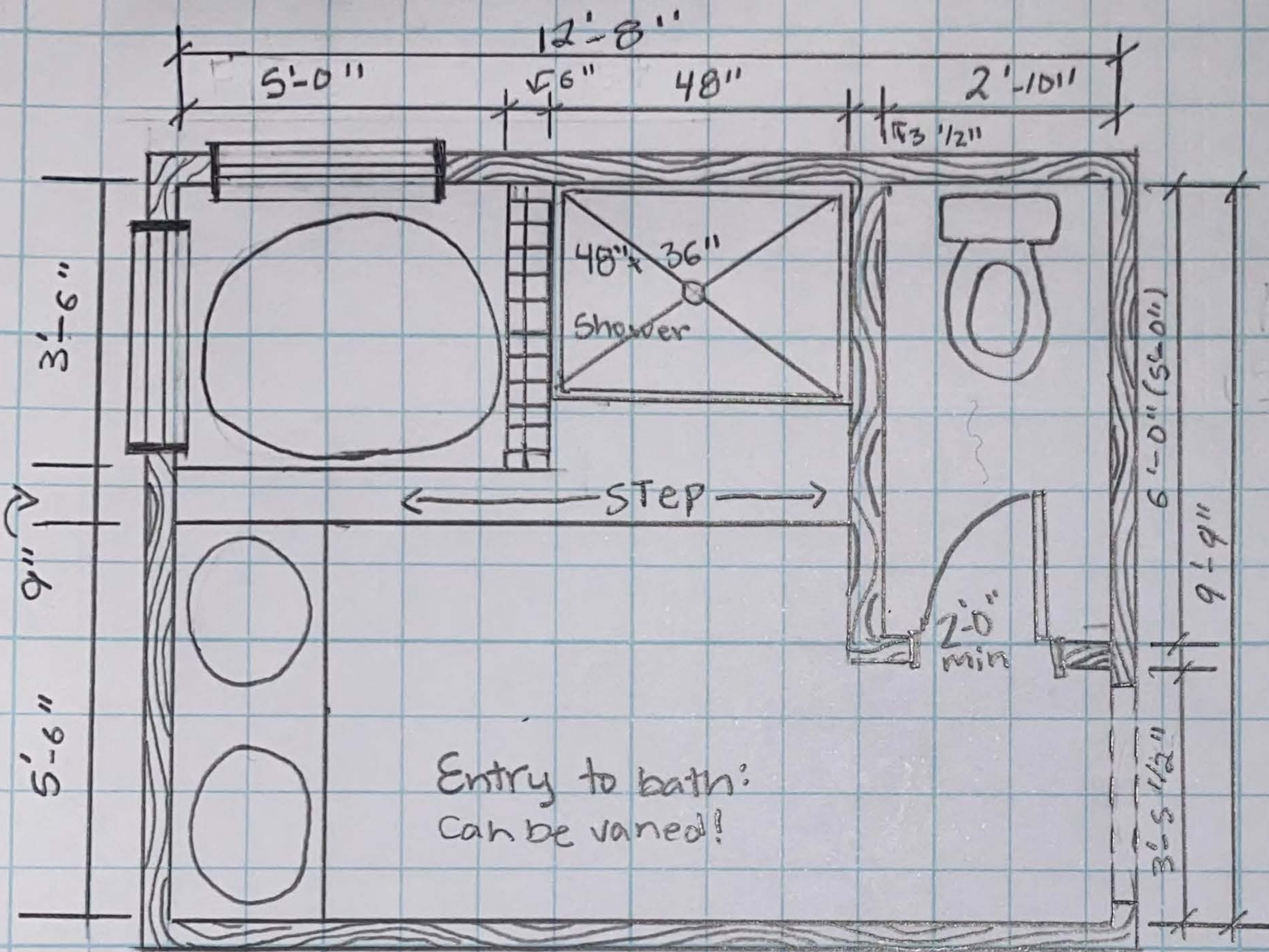
$3/8 = 1'-0"$





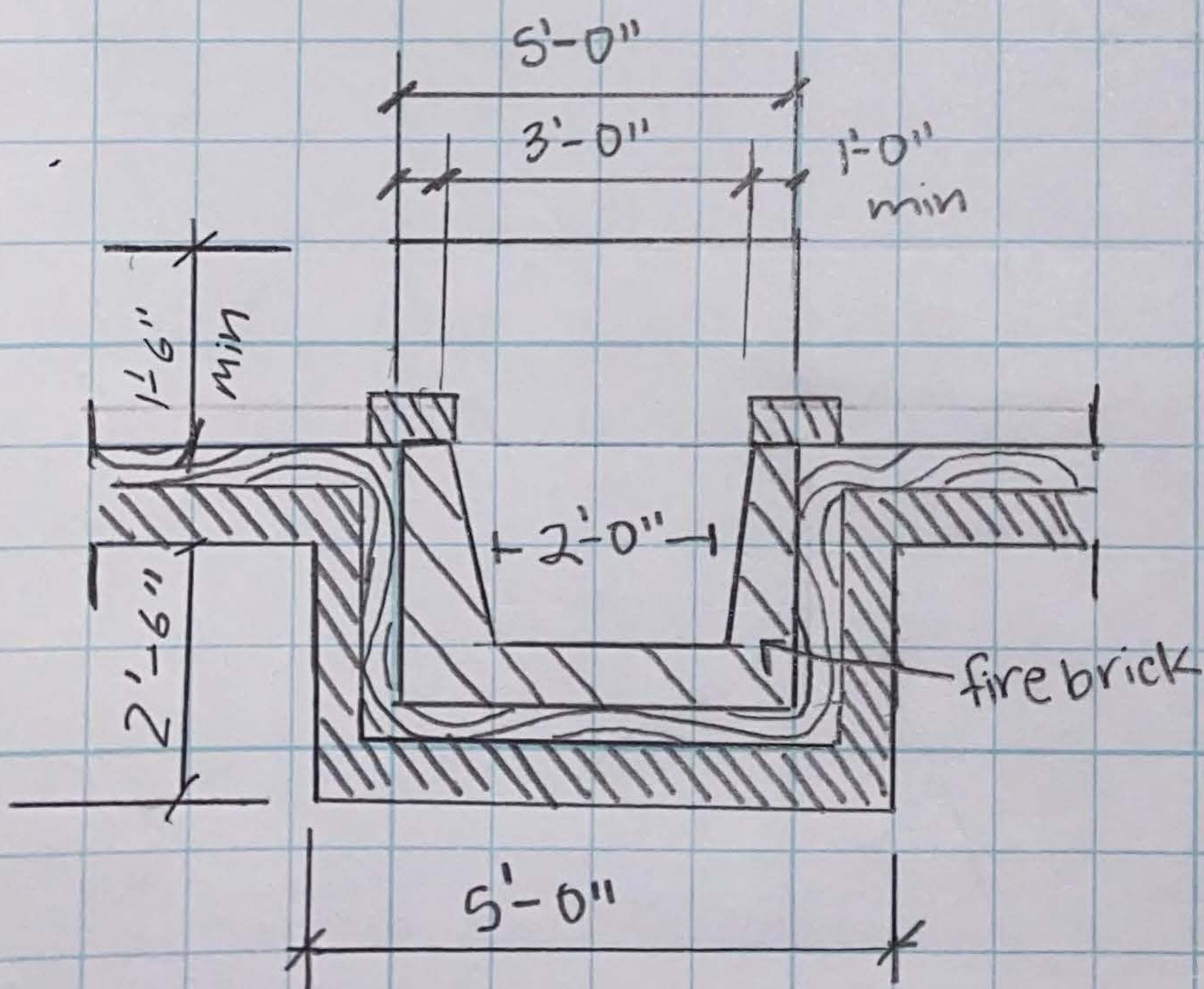
Full bath min.  
Layout

1/4" = 1'-0"



Master bath  
(S.FIXTURE)

1/4" = 1'-0"



Masonry Firebox

1/4" = 1'-0"